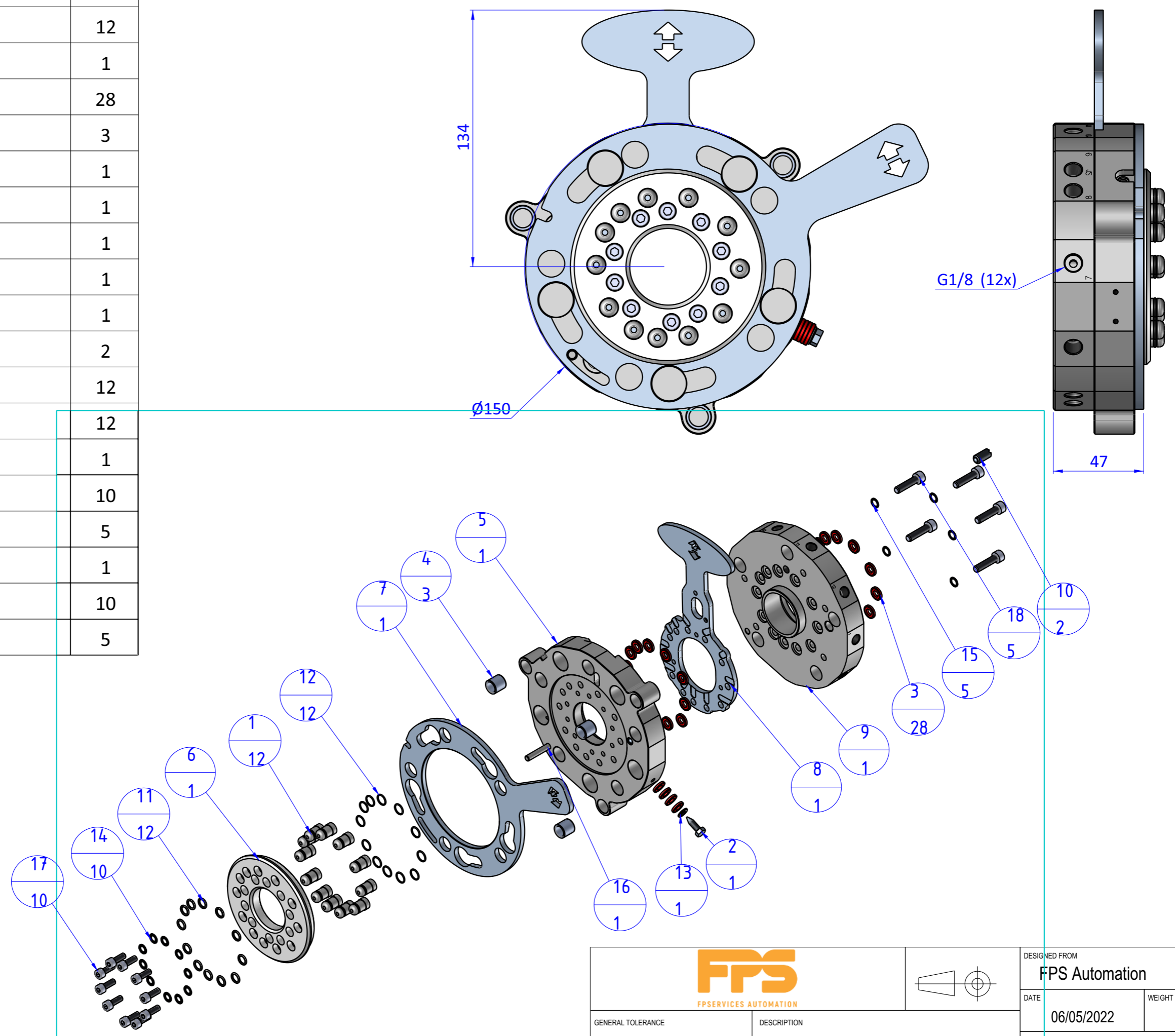



THE PROPERTY OF THE DRAWING IS ESTABLISHED BY LAW. IT IS FORBIDDEN TO PRODUCE OR SHOW IT TO THIRD PART - WITHOUT A WRITTEN AGREEMENT.

Item	Name	Q.ty
1	01.01.001.04	12
2	01.01.001.08	1
3	CUDL.150.06	28
4	CUDL.150.10	3
5	CUDL.160.01	1
6	CUDL.160.02	1
7	CUDL.160.03L	1
8	CUDL.160.04L	1
9	CUDL.160.05	1
10	EL.GN.33131	2
11	ORM.0070.15	12
12	ORM.0085.10	12
13	R.5	1
14	R.5.SCH	10
15	R.6.SCH	5
16	SP.5X45	1
17	V.TCE5x14	10
18	V.TCE6x25	5



Format A3
UNI 936-76

 FPS FPSERVICES AUTOMATION		DESIGNED FROM	REVIEW
		FPS Automation	A
GENERAL TOLERANCE	DESCRIPTION	DATE	WEIGHT
UNI - ISO 2768	CA.CUDL.160	06/05/2022	2,111kg
CLASSE f		CODE	CA.CUDL.160